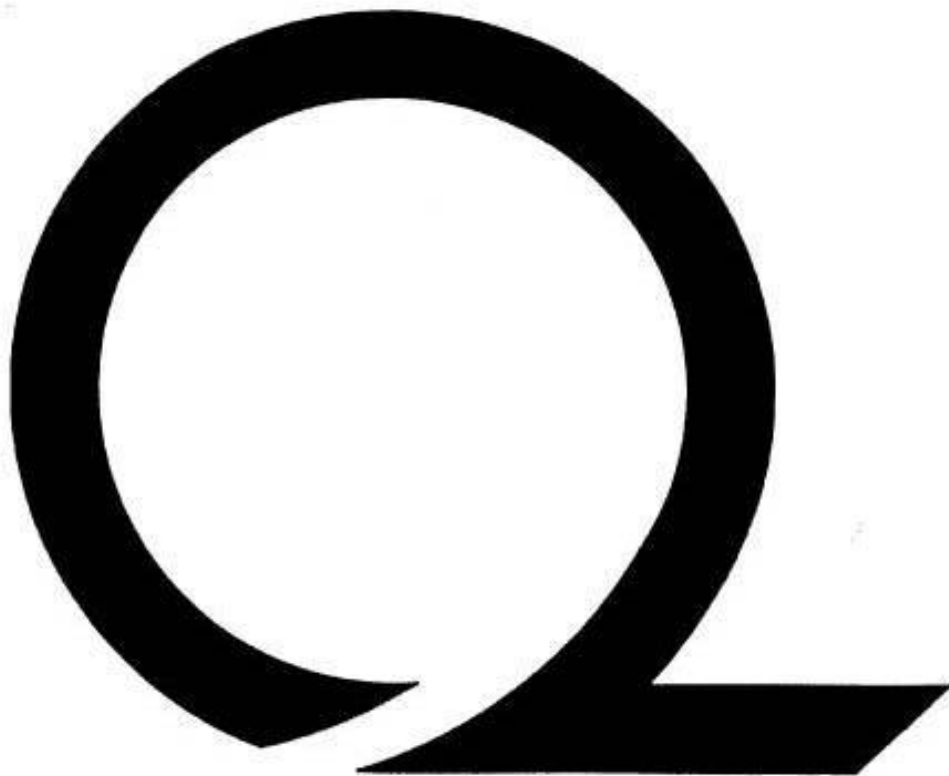


INSTALLATION INSTRUCTIONS

SELF LEVELING RADAR ANTENNA MOUNT MODEL 300G MAST MOUNT



**QUESTUS MARINE, INC.
PO BOX 9
MARBLEHEAD, MA 01945
TEL (781) 639-1900
1-800-RADAR66
FAX (781) 639-1905
WWW.QUESTUSMARINE.COM**

INSTALLATION INSTRUCTIONS

300G MAST MOUNT

Congratulations, you have purchased a system designed to maximize the full potential of your marine radar system.

Please read over these instructions fully before attempting to install your Questus Self Leveling Radar Mount.

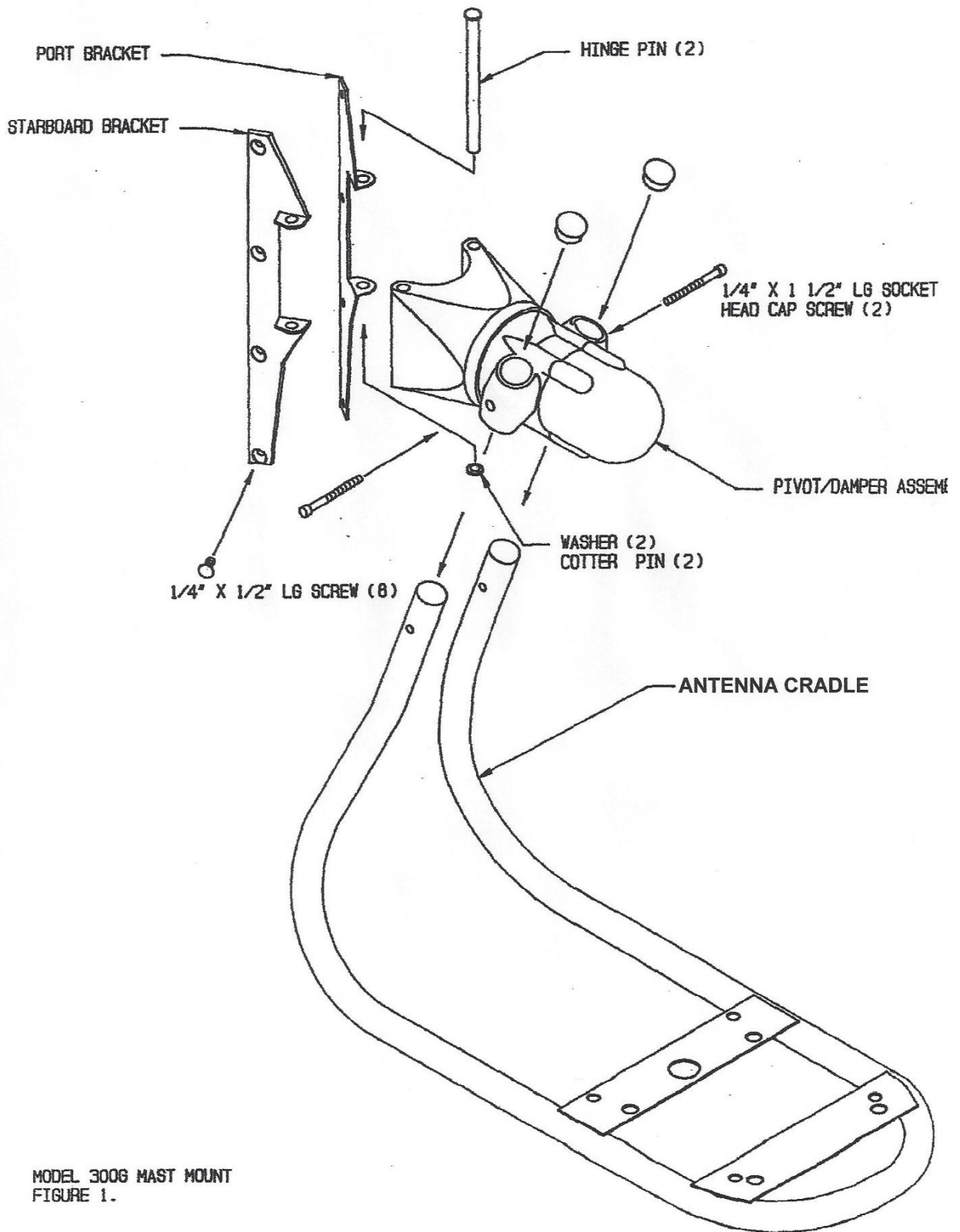
Note: In applications where a head sail will be hitting the Questus mount and radar antenna, it is advisable to install an optional mast mount sail guard to prevent damage to the sail and or the radar antenna.

BEFORE YOU BEGIN:

- 1) Identify all Questus mount items, (diagram on following page):
 - a. (1) Pivot Damper Assembly
 - b. (1) Starboard mounting bracket
 - c. (1) Port mounting bracket
 - d. (1) Stainless steel antenna cradle
 - e. (2) Hinge pins
 - f. (2) Retaining washers
 - g. (2) Cotter pins
 - h. (8) 1/4-20 X 1/2" long button head cap screws
 - i. (2) 1/4-20 X 1-1/2" long socket head cap screws
 - j. (1) Loctite
 - k. (1) Rubber edge guard (rubber grommet)
 - l. (3) Cable ties
- 2) Tools required:
 - a. Hammer
 - b. Center punch
 - c. Drill
 - d. #7 (13/64" or 5mm) drill bit
 - e. 1.75" hole saw
 - f. 1/4-20 UNC-2B tap
 - g. Tap wrench
 - h. Pliers

Step 1: ASSEMBLE MOUNTING BRACKETS TO PIVOT DAMPER ASSEMBLY

- 1) Orient the Pivot Damper Assembly and the starboard and port mounting brackets as shown in FIGURE 1.
- 2) Align the through holes (brackets and Pivot Damper Assembly) and insert the hinge pins, leaving the head of the hinge pins at the top
- 3) At lower end of hinge pins, add a retaining washer and cotter pin.



MODEL 3006 MAST MOUNT
 FIGURE 1.

STEP 2: LOCATING MOUNTING HOLES ON MAST

- 1) Hold mounting brackets against mast with a space of $\frac{3}{4}$ " between the mast and the Questus mount. Position Questus mount straight fore and aft and horizontal (adjust angle for mast rake if necessary). SEE FIGURE 2

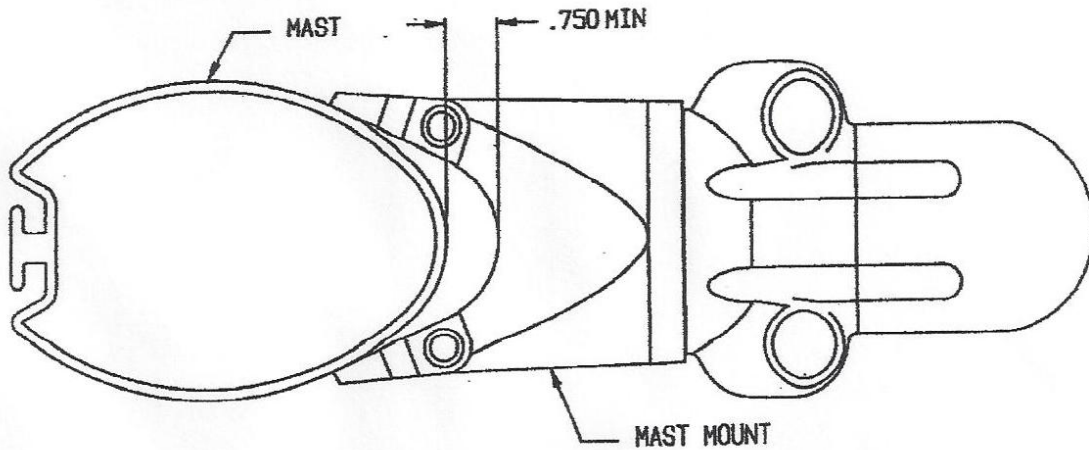


FIGURE 2

Suggestion: Two large hose clamps around the mast with sufficient padding to prevent scratching of painted surface may help to hold the Questus mount in position as you make fore and aft and horizontal adjustments.

- 2) Mark the center of the mounting bracket holes, four per side, on the mast using a suitable marker. Then remove the Questus mount.

STEP 3: DRILL AND TAP MOUNTING HOLES AND ATTACH QUESTUS MOUNT

- 1) Make a small indent at the center of each mark (marked holes for mounting brackets) utilizing a hammer and center punch.
- 2) Drill a #7 hole perpendicular to the surface of the mast at each indent.
- 3) Using the 1/4-20 UNC-2B tap and tap wrench, tap each hole.
- 4) Mount the Questus mount to the mast using the (8) 1/4-20 X 1/2" long button head cap screws – Use a few drops of Loctite on each screw.

NOTE: For attachment to a wooden mast, substitute a 1/8" drill bit for the #7 drill bit and do not tap. Fasten the Questus mount to the mast using (8) #14 X 1" long wood screws (not included)

STEP 4: PLACE ANTENNA CABLE AND MOUNT THE RADAR ANTENNA DOME

- 1) Using the 1.75" hole saw, drill a 1.75" hole for the radar antenna cable to exit the mast approximately 5" (125mm) below the centerline of the Pivot Damper. Be sure to carefully round the edges of the hole and install the rubber edge guard (included) to prevent chaffing.

- 2) Pull the radar cable up the mast and thru the 1.75" hole.
- 3) Fasten the cable to the mast (FIGURE 3).
- 4) Attach radar cable to the antenna per radar manufacturer's instructions.
- 5) Fasten the radar dome to the cradle leaving slack in the cable per FIGURE 3.

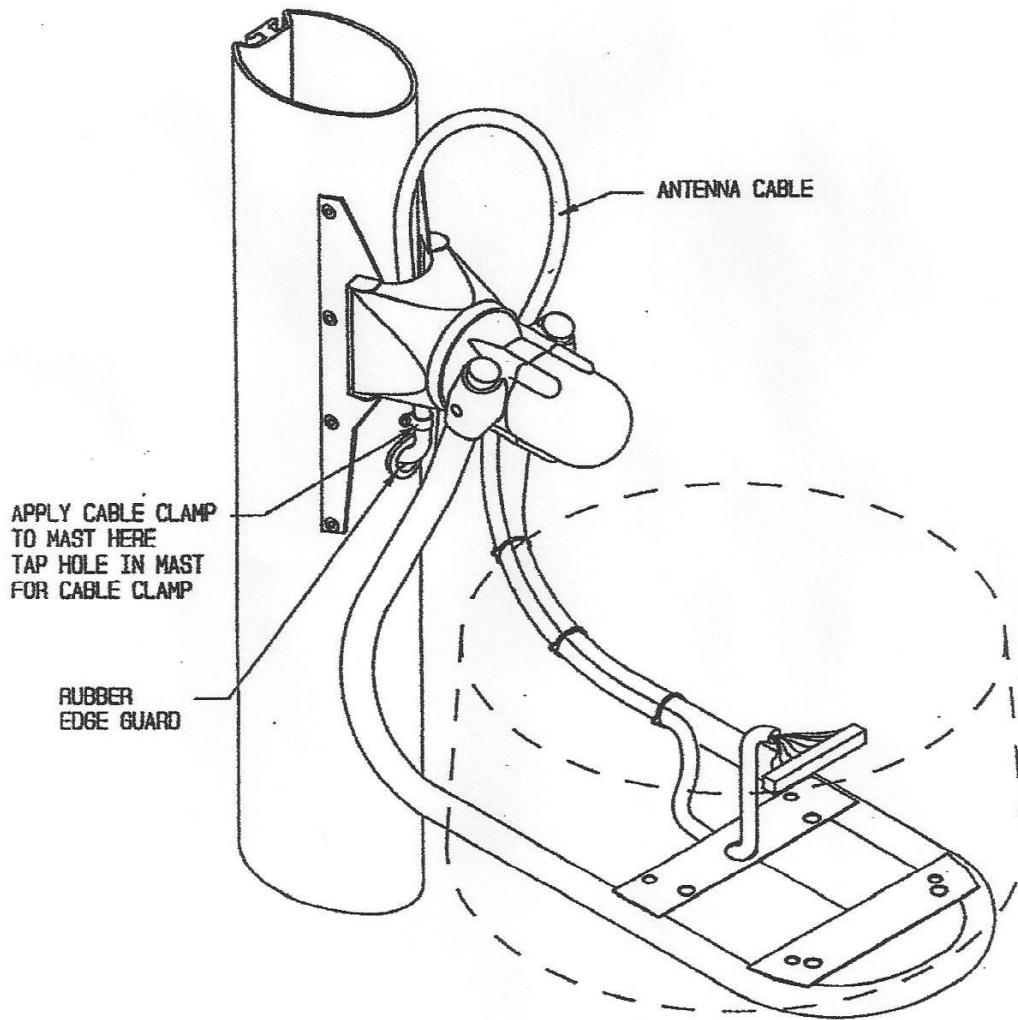


FIGURE 3

**QUESTUS MARINE LIMITED WARRANTY FOR:
SELF LEVELING RADAR MOUNT**

- I. **WARRANTY:** Questus Marine warrants that the Self Leveling Radar Mount products will be free from defects in materials and workmanship for a period of one year. Any part which proves defective in normal usage during the one year period will be repaired or replaced by Questus Marine.

This Warranty is subject to the following conditions and limitations:

- 1) Questus Marine liability shall be limited to repair or replacement, at the discretion of Questus Marine, of goods or parts deemed defective in material or workmanship. This shall be the buyer's exclusive remedy.
 - 2) Except where otherwise specified, quality shall be in accordance with Questus Marine specifications.
 - 3) The Self Leveling Radar Mount must be installed and maintained properly and used under normal conditions in the application for which it was intended.
 - 4) This warranty does not apply to any products that were improperly installed or maintained, or subject to misuse or negligence during normal operation and storage.
 - 5) Questus Marine shall not be responsible for shipping charges or labor associated with any warranty claims.
- II. Failure to follow installation instructions or otherwise be aware of the information contained in the installation instructions may void this warranty.
- III. The limited warranty is in lieu of all other warranties; any implied warranties are limited in duration to the duration of the warranty stated here.
- IV. Questus Marine is not responsible for consequential damage of any sort, to the extent that such exclusion is permitted by applicable law.